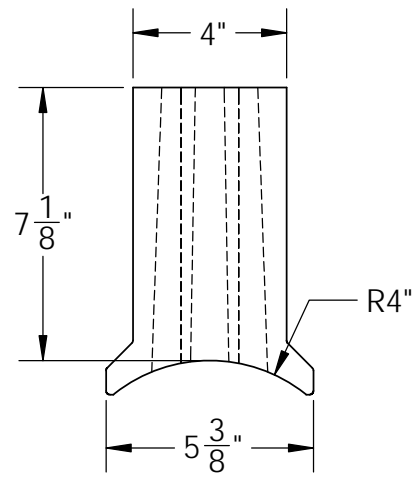
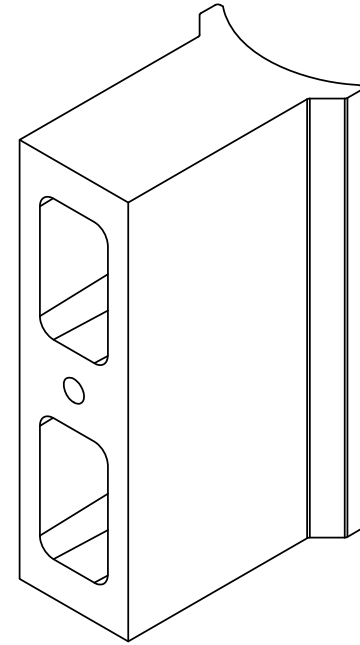
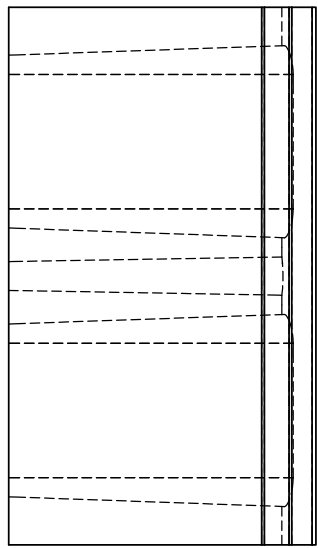
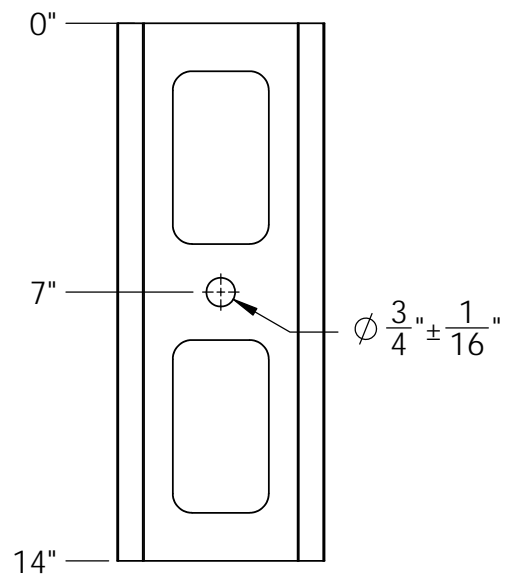


2

1



B

B

A

A

PROPRIETARY AND CONFIDENTIAL
THE INFORMATION CONTAINED IN THIS DRAWING IS THE SOLE PROPERTY OF MONDO POLYMER TECHNOLOGIES. ANY REPRODUCTION IN PART OR AS A WHOLE WITHOUT THE WRITTEN PERMISSION OF MONDO POLYMER TECHNOLOGIES IS PROHIBITED.

UNLESS OTHERWISE SPECIFIED:	DRAWN	NAME	DATE
	REVISED	RICK H	2/18/16
DIMENSIONS ARE IN INCHES TOLERANCES: FRACTIONAL $\pm 1/4$ "	COMMENTS:		
MATERIAL	RECYCLED PE		

MONDO MODEL #		
GB14R		
SIZE	DWG. NO.	REV
A		
SCALE: 1:5		SHEET 1 OF 1

2

1