

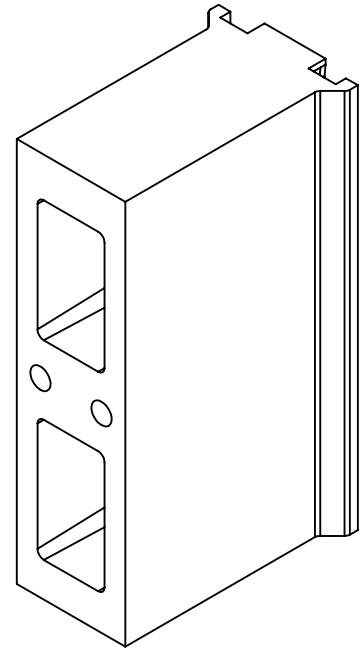
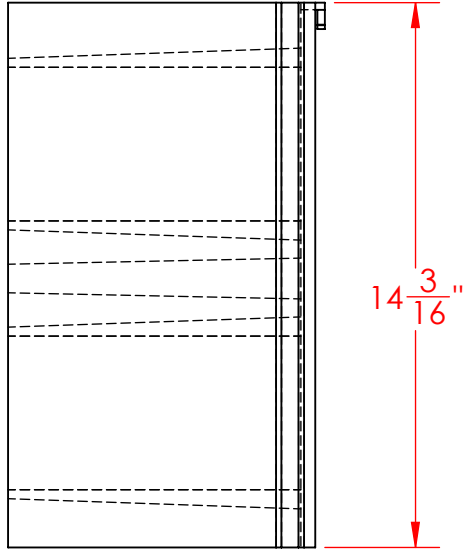
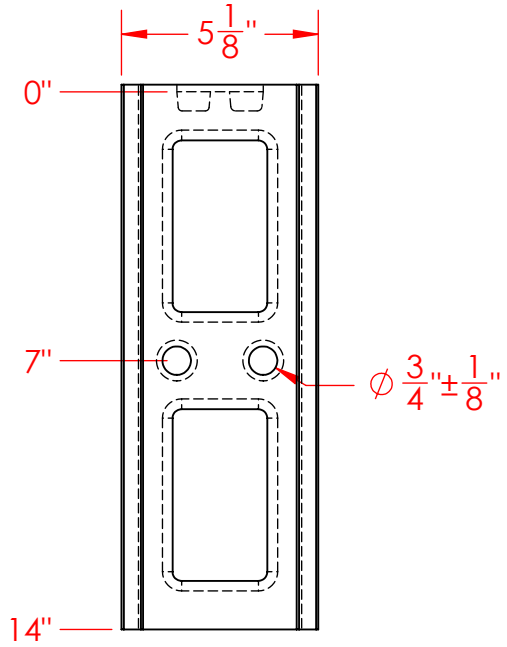
2

1



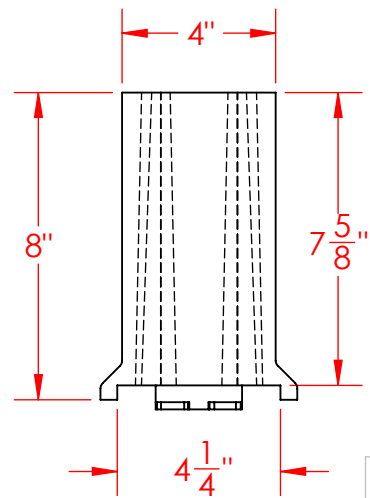
B

B



A

A



FHWA NCHRP 350
APPROVAL
HSA-10/B-39A

FHWA MASH ELIGIBILITY
HSST/B-39D

MONDO MODEL NO.
GB14SH(1)

PROPRIETARY AND CONFIDENTIAL
THE INFORMATION CONTAINED IN THIS DRAWING IS THE SOLE PROPERTY OF MONDO POLYMER TECHNOLOGIES. ANY REPRODUCTION IN PART OR AS A WHOLE WITHOUT THE WRITTEN PERMISSION OF MONDO POLYMER TECHNOLOGIES IS PROHIBITED.

UNLESS OTHERWISE SPECIFIED:
DIMENSIONS ARE IN INCHES
TOLERANCES:
BOLT HOLES +/- 1/8"
ALL OTHERS +/- 1/4"
RECYCLED THERMOPLASTIC
MATERIAL POLYOLEFIN

	NAME	DATE
DRAWN	RICK H	4/28/16
REVISION		
COMMENTS:		

SIZE	DWG. NO.	REV
A		
SCALE: 1:5	SHEET 1 OF 1	

2

1