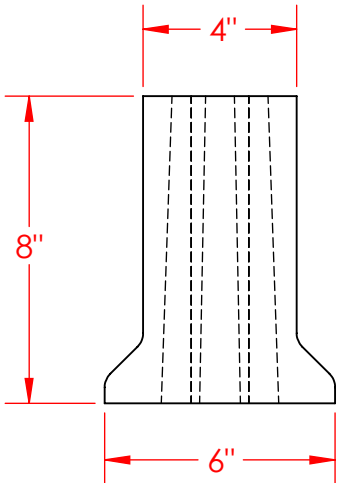
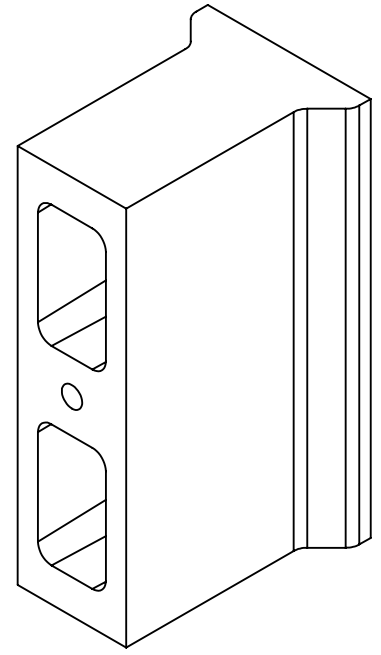
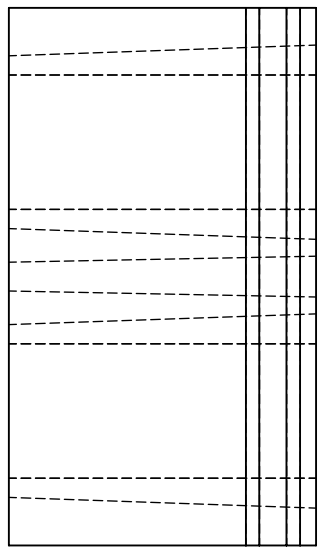
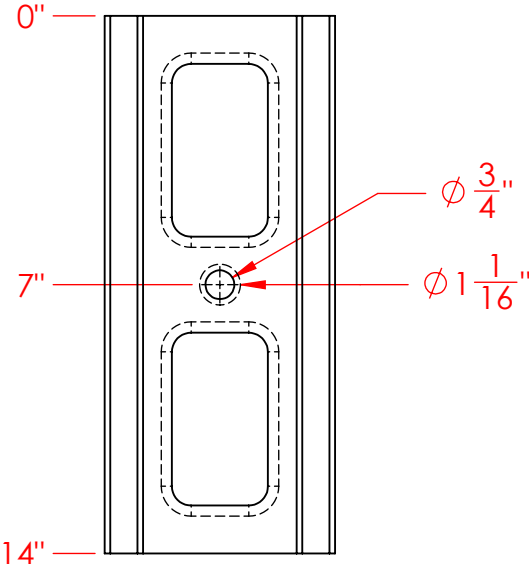


2

1



FHWA NCHRP 350  
APPROVAL  
HSA-10/B-39A

MONDO MODEL NO.

**GB14U**

**PROPRIETARY AND CONFIDENTIAL**  
THE INFORMATION CONTAINED IN THIS DRAWING IS THE SOLE PROPERTY OF MONDO POLYMER TECHNOLOGIES. ANY REPRODUCTION IN PART OR AS A WHOLE WITHOUT THE WRITTEN PERMISSION OF MONDO POLYMER TECHNOLOGIES IS PROHIBITED.

UNLESS OTHERWISE SPECIFIED:  
DIMENSIONS ARE IN INCHES  
TOLERANCES:  
BOLT HOLES +/- 1/8"  
ALL OTHERS +/- 1/4"  
RECYCLED THERMOPLASTIC  
MATERIAL POLYOLEFIN

	NAME	DATE
DRAWN	RICK H	10/16/17
REVISION		
COMMENTS:		

<b>A</b>	SIZE	DWG. NO.	REV
	SCALE: 1:5		SHEET 1 OF 2

B

B

A

A

2

1