

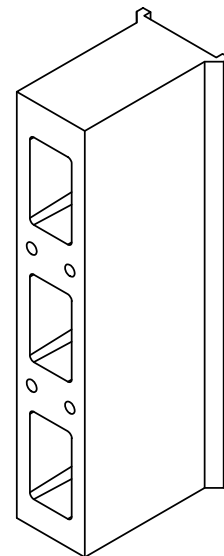
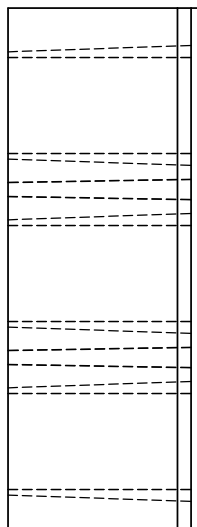
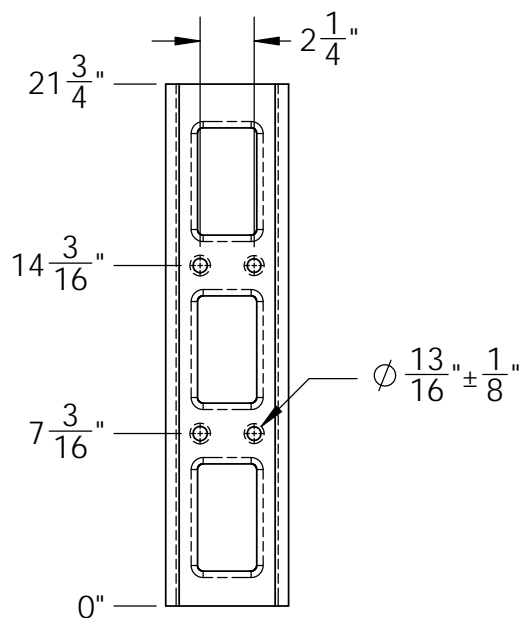
2

1



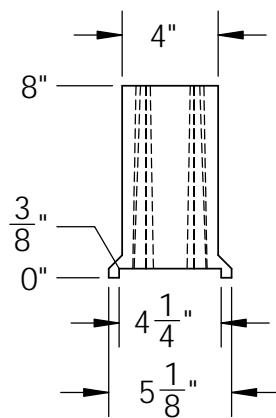
B

B



A

A



PROPRIETARY AND CONFIDENTIAL
THE INFORMATION CONTAINED IN THIS DRAWING IS THE SOLE PROPERTY OF MONDO POLYMER TECHNOLOGIES. ANY REPRODUCTION IN PART OR AS A WHOLE WITHOUT THE WRITTEN PERMISSION OF MONDO POLYMER TECHNOLOGIES IS PROHIBITED.

UNLESS OTHERWISE SPECIFIED: DIMENSIONS ARE IN INCHES TOLERANCES: FRACTIONAL \pm 1/4"	DRAWN	NAME R.H.	DATE 9/14/15
	REVISED		
	Q.A.		
MATERIAL	COMMENTS:		

SIZE A	DWG. NO. TB21S	REV
SCALE: 1:8	WEIGHT:	SHEET 1 OF 1

2

1