

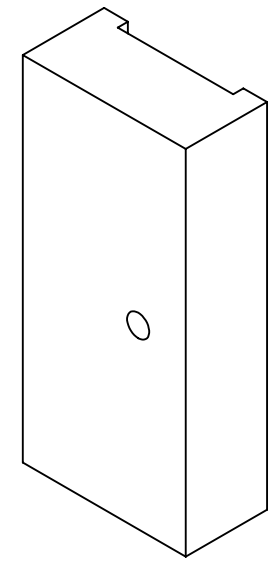
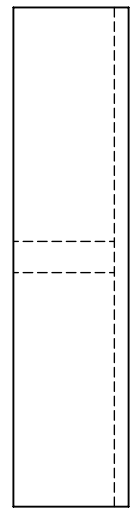
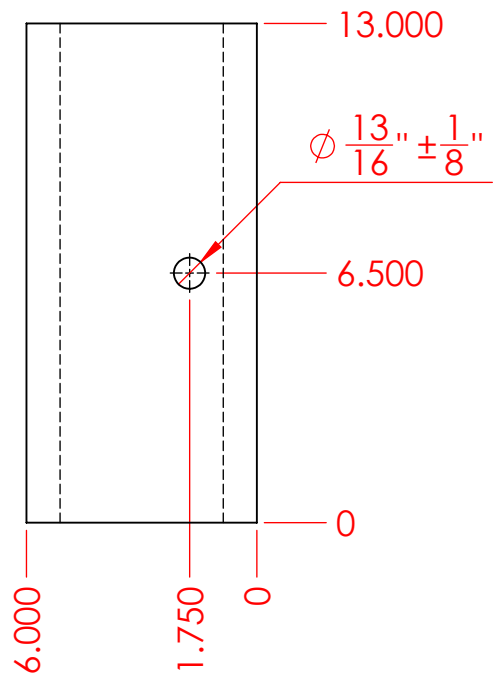
2

1



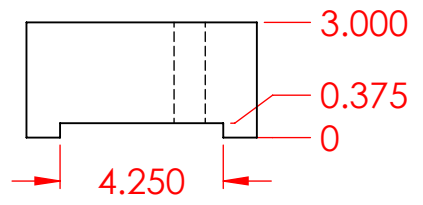
B

B



A

A



MONDO MODEL NO.

VP3

PROPRIETARY AND CONFIDENTIAL
THE INFORMATION CONTAINED IN THIS DRAWING IS THE SOLE PROPERTY OF MONDO POLYMER TECHNOLOGIES. ANY REPRODUCTION IN PART OR AS A WHOLE WITHOUT THE WRITTEN PERMISSION OF MONDO POLYMER TECHNOLOGIES IS PROHIBITED.

UNLESS OTHERWISE SPECIFIED:
DIMENSIONS ARE IN INCHES
TOLERANCES:
BOLT HOLES +/- 1/8"
ALL OTHERS +/- 1/4"
RECYCLED THERMOPLASTIC MATERIAL POLYOLEFIN

	NAME	DATE
DRAWN	RICK H	10/16/17
REVISION		
COMMENTS:		

SIZE	DWG. NO.	REV
A		
SCALE: 1:5		SHEET 1 OF 1

2

1