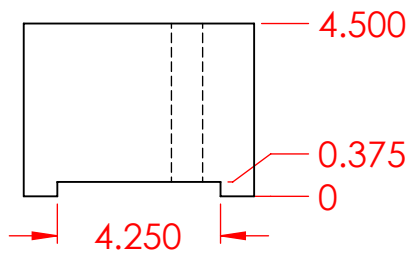
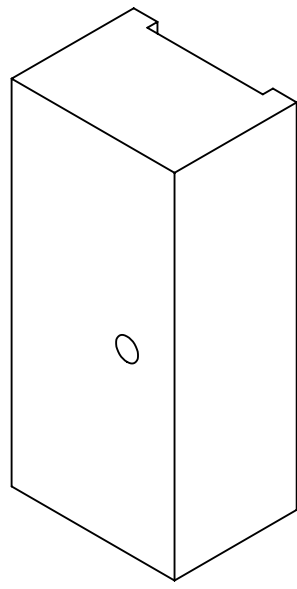
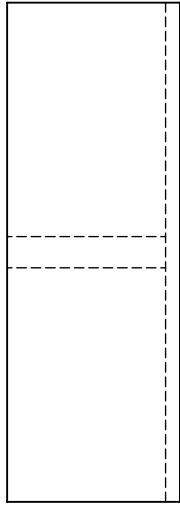
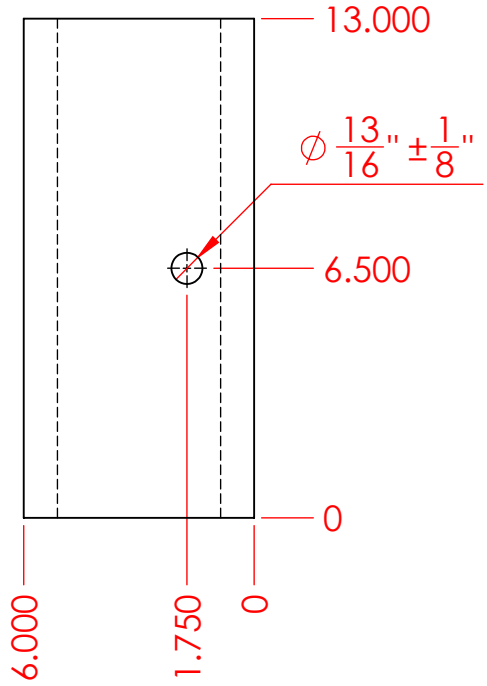


2

1



B

B

A

A

MONDO MODEL NO.

VP4

PROPRIETARY AND CONFIDENTIAL
 THE INFORMATION CONTAINED IN THIS DRAWING IS THE SOLE PROPERTY OF MONDO POLYMER TECHNOLOGIES. ANY REPRODUCTION IN PART OR AS A WHOLE WITHOUT THE WRITTEN PERMISSION OF MONDO POLYMER TECHNOLOGIES IS PROHIBITED.

UNLESS OTHERWISE SPECIFIED: DIMENSIONS ARE IN INCHES TOLERANCES: BOLT HOLES +/- 1/8" ALL OTHERS +/- 1/4" RECYCLED THERMOPLASTIC MATERIAL POLYOLEFIN	DRAWN	NAME	DATE
	REVISION	RICK H	10/16/17
	COMMENTS:		

SIZE	DWG. NO.	REV
A		
SCALE: 1:5		SHEET 1 OF 1

2

1