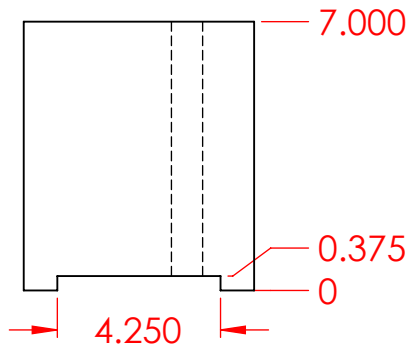
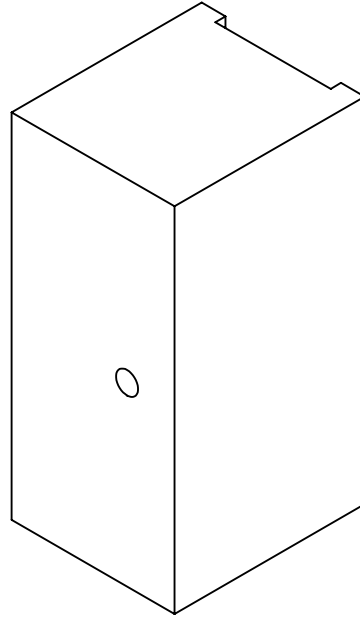
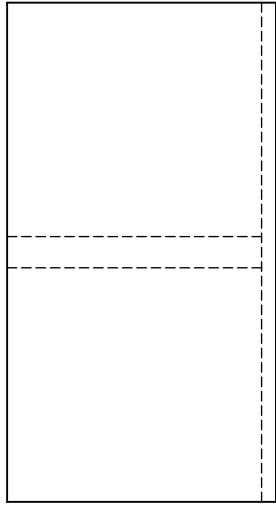
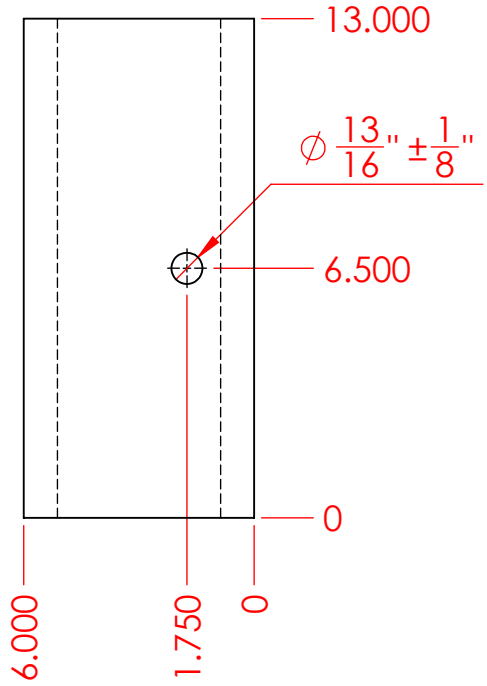


2

1



MONDO MODEL NO.  
**VP7**

**PROPRIETARY AND CONFIDENTIAL**  
 THE INFORMATION CONTAINED IN THIS DRAWING IS THE SOLE PROPERTY OF MONDO POLYMER TECHNOLOGIES. ANY REPRODUCTION IN PART OR AS A WHOLE WITHOUT THE WRITTEN PERMISSION OF MONDO POLYMER TECHNOLOGIES IS PROHIBITED.

UNLESS OTHERWISE SPECIFIED:  
 DIMENSIONS ARE IN INCHES  
 TOLERANCES:  
 BOLT HOLES +/- 1/8"  
 ALL OTHERS +/- 1/4"  
 RECYCLED THERMOPLASTIC MATERIAL POLYOLEFIN

	NAME	DATE
DRAWN	RICK H	10/16/17
REVISION		
COMMENTS:		

SIZE	DWG. NO.	REV
<b>A</b>		
SCALE: 1:5	SHEET 1 OF 1	

2

1

B

B

A

A